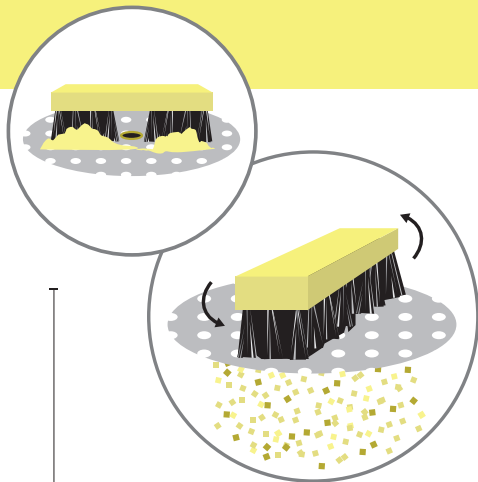
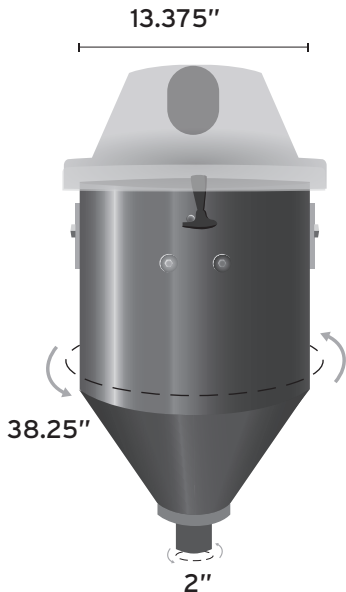


# CT 6 gallon 110 Dry Applicator



30"

## HOW IT WORKS

The CT Applicator brush pushes the powder through a mesh. This sifts the powder into small particles, resulting in proper distribution. Quantities can be easily and accurately adjusted by changing the speed of the brush rotation.